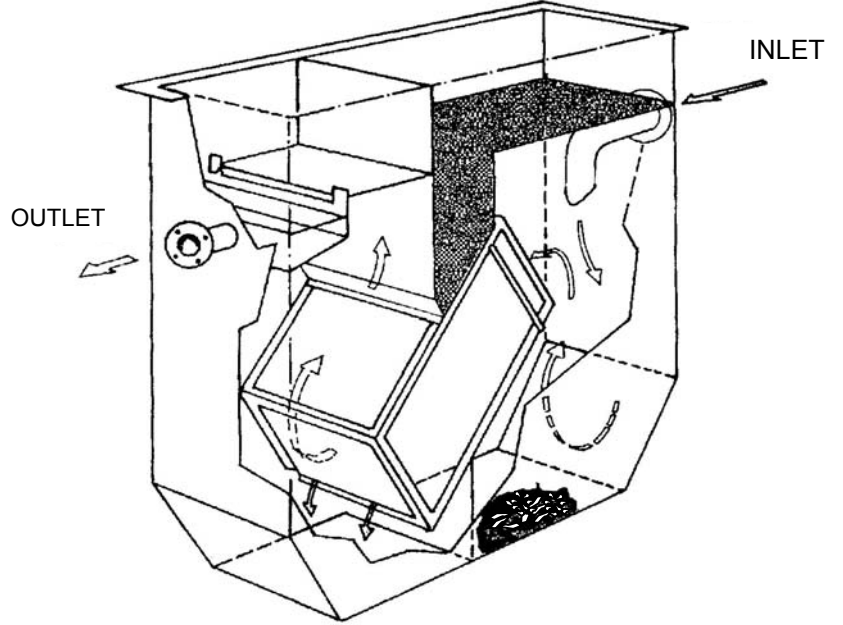


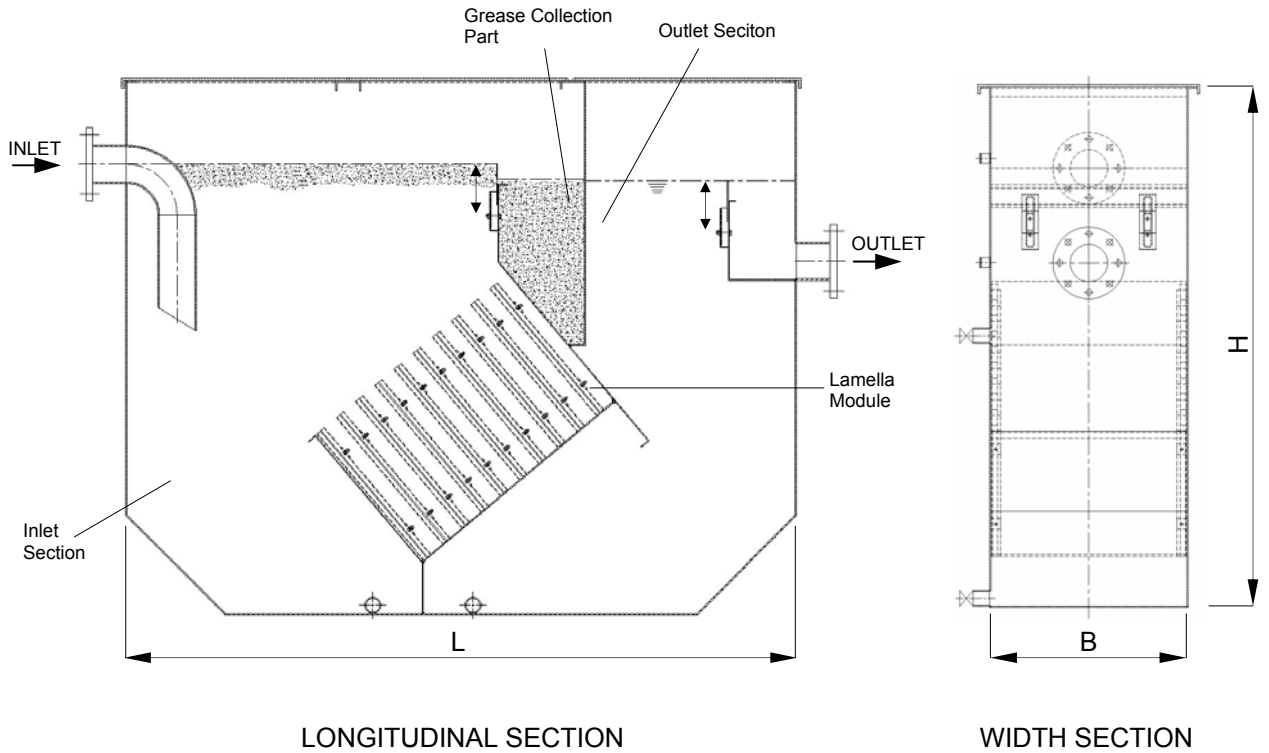
### GENERAL

YAGPAK is a steel construction package treatment unit that can be used for grease separation from wastewater having less than 15 m<sup>3</sup>/hr capacity. According to wastewater discharge there are 3 different alternative types of YAGPAK. It can be mounted in a very short time and this separation unit generally can be worked as "lamella separation" principle for grease separation. These properties combine the high efficiency and economy.



The most important technical property of YAGPAK is; independence of the area that they cover they have large surface area. By means of this property, conventional grease separation, for example according to API separator, their volume is 5-10 times less and needs 10-15 times less area. Also, it does not contain any risk about by vaporization grease removal for conventional grease separation, fire danger, wind, rain and reducing the treatment efficiency by sun effect. The main components of YAGPAK are; inlet, outlet and grease collection section, lamella module and adjustable outlet and grease weirs. By distributing the inlet flow properly, it can be maintained to be uniform flow to lamella module. During the passage through the inclined placed module, at laminar flow conditions, free grease grains that are separated from water and getting bigger by combining each other, comes to the surface of module and forms grease layer. When

this grease layer exceeds the certain thickness, some parts of grease are collected in the grease collection part. Water that is separated from grease, exits from the bottom part of the module and move through the outlet part and exit from the system by the adjustable weir. By the way, the important part of the suspended solids in the wastewater is separated from water when passing through the module and accumulates as sludge at the bottom of the outlet part. Separated grease and bottom sludge are sent away from the unit by the manual valves on the concerned parts.



### TECHNICAL PROPERTIES:

Model	Capacity, m <sup>3</sup> /HR	Diemensions, cm			Inlet Diameter	Outlet Diameter
		Width, B	Length, L	Height, H		
YAGPAK – 5	5	60	200	170	DN100	DN100
YAGPAK – 10	10	120	200	170	DN100	DN100
YAGPAK – 15	15	120	260	170	DN100	DN100