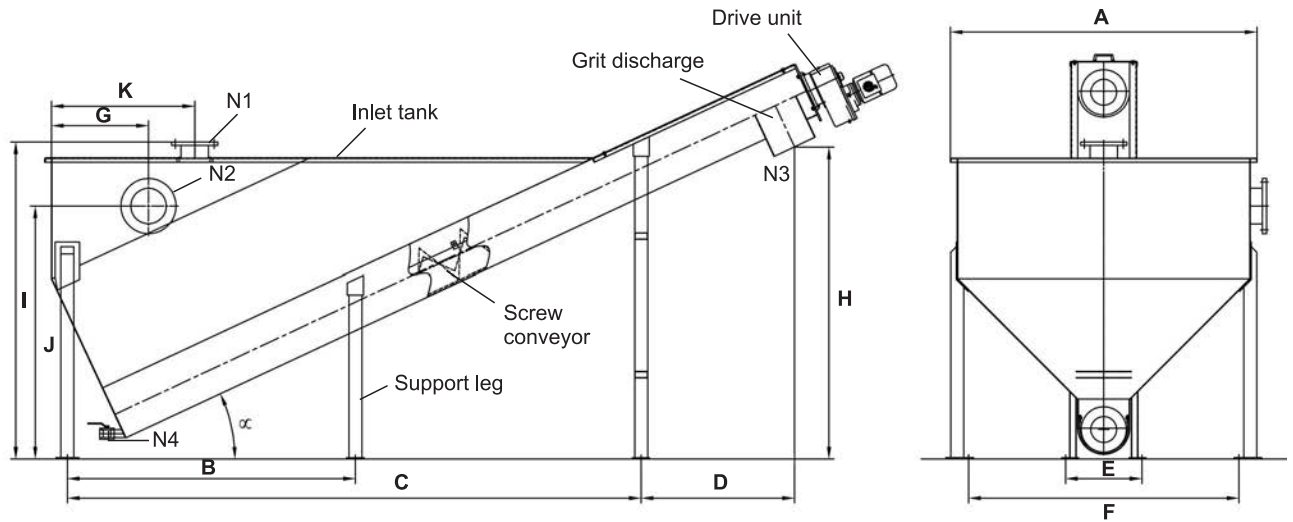


# GRIT CLASSIFIER

Grit which is withdrawn from grit removal unit, still contains large amount of water and needs to be dewatered. Grit classifier separates grit from water and it transport to container through a discharge chute.



Grit classifier consists of following main parts;

## Inlet tank

Water-grit mixture enters into inlet tank from inlet nozzle located at the top of the tank. Since the grit is heavier than water, grit settles down to tank bottom; water flows under the outlet channel and flows in to the outlet channel. Inlet tank is manufactured from stainless steel material and equipped with an screw conveyor.

## Screw conveyor

Grit classifier unit is equipped with a shaftless screw to convey settled grit. The screw is manufactured from hardened steel material and PE wearing shoes exist at inner surface of screw housing in order to prevent friction between two metal surfaces.

## Drive unit

Drive unit is consisting of a motor which has IP 55 class protection as standard and a gearbox to reduce motor output speed and supply suitable rotation speed for screw conveyor.

## Support leg

Stainless steel support legs are connected to conveyor housing and inlet tank via bolts and fixed to floor via chemical anchor bolts.

## Grit discharge

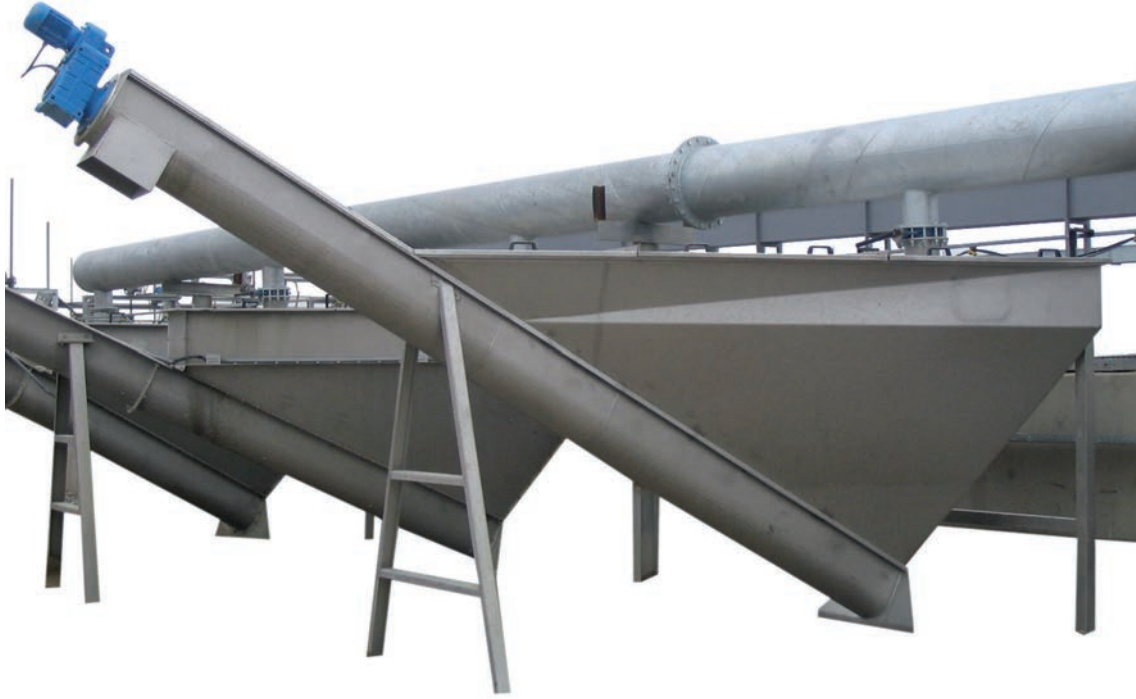
Washed and dewatered grit is dropped into a container from grit discharge. Discharge height for all models are given in the table.

Specifications		Model				
		GC200	GC250	GC300	GC350	GC400
Maximum capacity, l/sec		8	16	24	32	40
Discharge of grit, m <sup>3</sup> /h		0.5	1	1.5	2	3
Screw installation angle		25°	25°	25°	25°	25°
Dimensions, mm	A	1720	1680	1890	2100	2250
	B	-	-	-	-	-
	C	2133	2800	3140	3580	-
	D	1120	1212	1342	1400	-
	E	500	420	470	520	-
	F	982	1466	1666	1866	-
	G	717	570	595	628	-
	H	1470	1680	1860	1970	-
	I	1450	1750	1950	2080	-
	J	1050	1380	1555	1660	-
	K	930	810	880	950	-
	N1 (inlet)	DN100	DN125	DN150	DN200	DN200
	N2 (outlet)	DN150	DN150	DN200	DN250	DN250
N3 (grit discharge)	200	235	280	325	370	
N4 (drain)	DN40	DN40	DN40	DN40	DN40	
Screw speed, rpm		4.8	4.8	4.7	4.5	4.5
Motor power, kW		0.18	0.25	0.37	0.55	0.75

MAN 3410 06.09-E



# GRIT CLASSIFIER



**MASS ARITMA SİSTEMLERİ İNŞAAT SANAYİ VE TİCARET A.Ş.**

Gebze Organize Sanayi Bölgesi, 700. Sok., Gebze 41480 Kocaeli - Türkiye

Phone: +90 (262) 751 2210 pbx Fax: +90 (262) 751 0730 e-mail: [info@massaritma.com](mailto:info@massaritma.com) <http://www.massaritma.com>