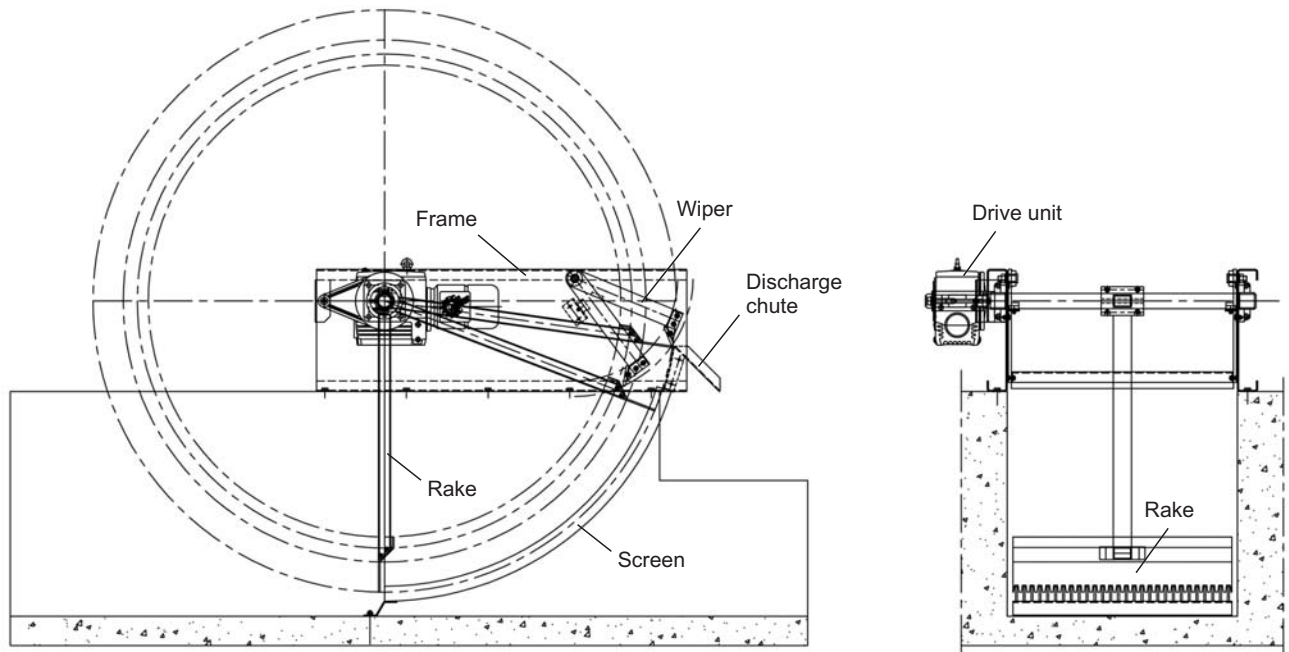


# ARCH SCREEN

Arc screen is a mechanically cleaned bar screen when removing solid particles from waste water. Screen bars which have an arch form is placed into the channel, as concave part facing flow direction. Arch shape bars are placed tangential to channel bottom in order to provide solid particles to move toward the screen surface.



Solids captured by screen are raked upward with the help of a rotating arm. At the top of channel, solids are transferred in to a basket by a counter rake cleaning arm. For larger dimensions, band conveyor may be used instead of simple tray or basket.

Arc screen consists of following main parts;

## Frame

It is manufactured from carbon steel or stainless steel standart profile and/or folded metal sheets. Hot deep galvanizing or sand blasting + epoxy coating is applied on carbon steel surfaces in order to provide corrosion protection.

## Screen bars

It is made of standard bars in arch shape with bolted construction.

## Rake

Rake is manufactured from carbon steel or stainless steel folded profiles. Raking tips which works between screen bars is made of polyethylene and bolted connection to provide easy replacement when it is worn out.

## Wiper

This part is manufactured from folded profiles by welding. Necessary pressing on to screen rake is provided by an adjustable counter weight.

## Discharge chute

Captured material are dropped from discharge chute in to a basket. This part is also manufactured from stainless steel for stainless steel screens.

## Drive unit

It is formed by an assencron, squerrel cage electric motor with IP 55 protection class, helical worm or bevel type gearbox and drive shaft. Drive unit is bolted to screen body.

## Optional accessories:

- Control panel
- Torque limiter
- Level control unit

# ARCH SCREEN

