

WEIR GATES

Weir gates are rectangular shaped steel construction units and widely used for level control. Gates are manufactured with a large dimensional range and designed to fit to concrete structure.

Weir gate consists of following main parts;

Frame

It is the base of the system. Weir gates are designed with full frame. The frame is manufactured from mild steel or stainless steel profile.

Door

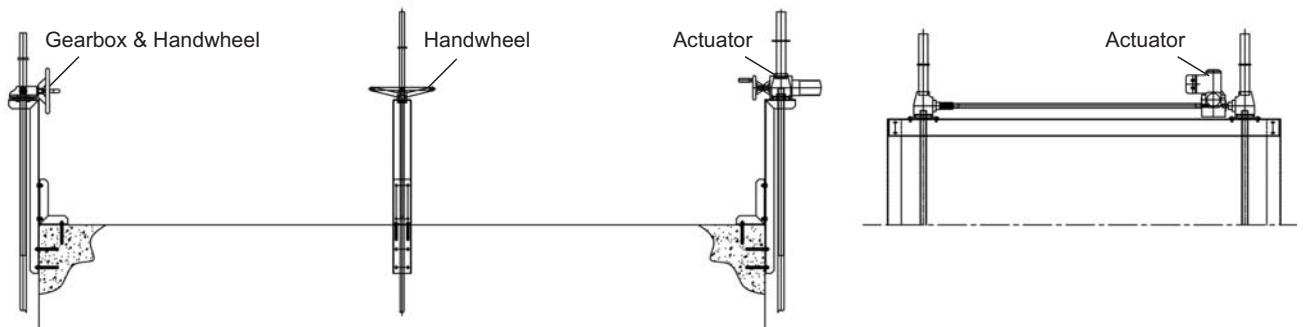
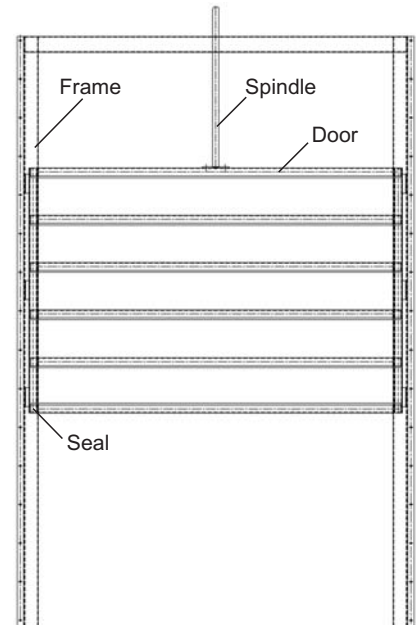
Door is designed with flat surface and runs in slide rails up and down. It is made of mild steel or stainless steel material.

Seal

P type rubber seal is used as sealing element and sealing is applied on 3 sides of weir gates. The standard seal material is EPDM; other material choices are available upon demand.

Spindle

Standard gates are rising spindle type, but non-rising spindle type gate is also available.



Drive unit

All gates can be supplied either for manual operation or with electric/pneumatic actuator. Electric actuators are equipped with manual drive (hand wheel) for emergency. Electric actuators are selected according to operation type of gates. On-off operated gates and modulating operated gates are most common applications.

Manual drive gates have handwheel for small sizes and bevel gearbox for large dimensions. If gate width is extensive then two pieces bevel gearbox unit are used for both manual and automatic double spindle gate applications.

MAN 1500 06.09-E



WEIR GATES



MASS ARITMA SİSTEMLERİ İNŞAAT SANAYİ VE TİCARET A. Ş.

Gebze Organize Sanayi Bölgesi, 700. Sok., Gebze 41480 Kocaeli - Türkiye

Phone: +90 (262) 751 2210 pbx Fax: +90 (262) 751 0730 e-mail: info@massaritma.com <http://www.massaritma.com>